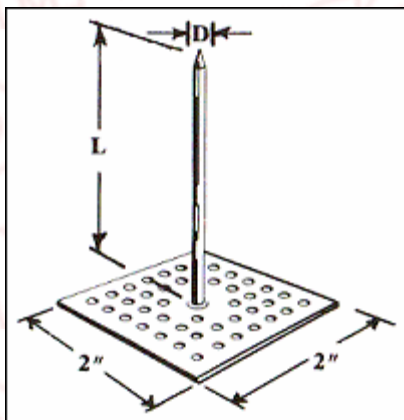


**GEMCO**

PRODUCTS

SALES
REPRESENTATIVESINTERNATIONAL
REPRESENTATIVES

Insulation Hangers

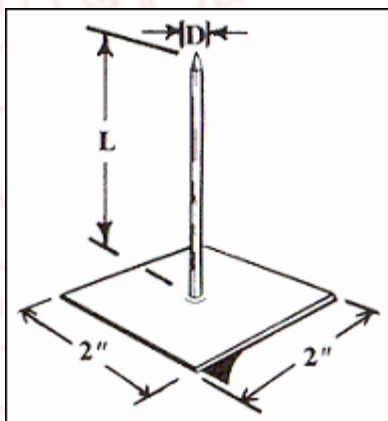


**PERFORATED BASE
(ADHESIVE REQUIRED)**

Perforated Base Insulation Hangers - [Instructions](#) (PDF)

PERFORATED HANGER SPECIFICATIONS	
"D"	"L"
12 Ga. (.105)	3/4" minimum 16" maximum

- NAIL:** Low Carbon Steel, copper coated. (Aluminum and Stainless Steel nails available on special order.)
- ANNEALING:** All steel pins are fully annealed unless otherwise specified.
- BASEPLATE:** Low Carbon Steel, galvanized.
- [ACCESSORIES:](#)** Click for self locking washers in a variety of sizes, shapes and materials.



**PEEL & PRESS
(SELF-STICKING)**

Peel & Press Insulation Hangers - [Instructions](#) (PDF)

PEEL & PRESS SPECIFICATIONS	
"D"	"L"
12 Ga. (.105)	3/4" minimum

- NAIL:** Low Carbon Steel, copper coated. (Aluminum and Stainless Steel nails available on special order.)
- ANNEALING:** All steel pins are fully annealed unless otherwise specified.
- BASEPLATE:** Low Carbon Steel, galvanized.
- [ACCESSORIES:](#)** Click for self locking washers in a variety of sizes, shapes and materials.

GEMCO

Danville, IL 61834-0846 • Phone: 1-800-331-1164; (IL) 1-217-446-7900